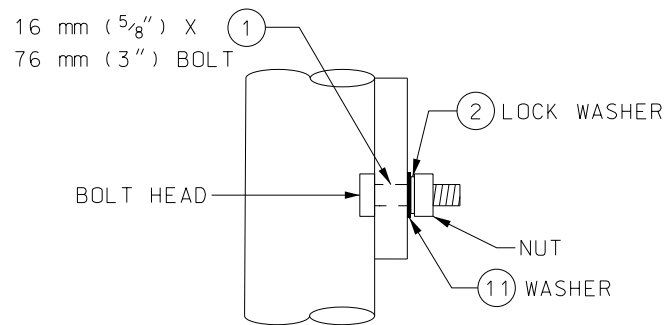
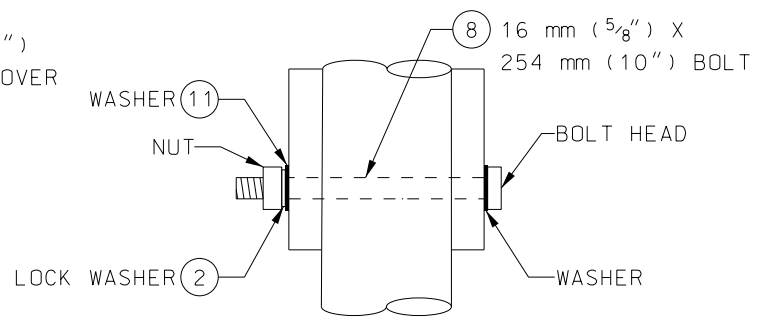


DETAIL 'A'
HOLE SPACING



DETAIL 'B'
SINGLE ARM MOUNT



DETAIL 'C'
DOUBLE ARM MOUNT
SEE NOTE 3

△ BASE MOUNTED

- NOTES: △
- 1) BASE PLATE BCD SHALL BE AS INDICATED IN BASE PLATE DETAILS TABLE.
 - 2) REFER TO STANDARD 30-1600 FOR BRACKET DETAILS.
 - 3) ONLY 12954 mm (42'-6") POLES CAN ACCOMMODATE DOUBLE ARM MOUNT.
 - 4) REFER TO STANDARD 30-2100 FOR POLE NUMBERING (STENCILING) DETAILS.

DISTRIBUTION CONSTRUCTION STANDARD
Street Lighting

ALUMINUM POLE WITH COBRA HEAD LUMINAIRE



Approved By:
J.D. 2016-08-25

Drafted By:
D.C.

Designed By:
J.D.

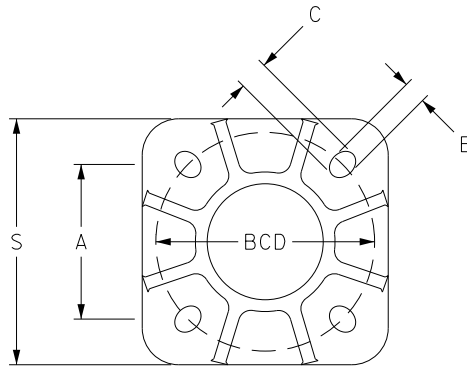
Original Issue:
L.G. 2001-05-29

Scale:
N.T.S.

Rev: **7**

30-4210

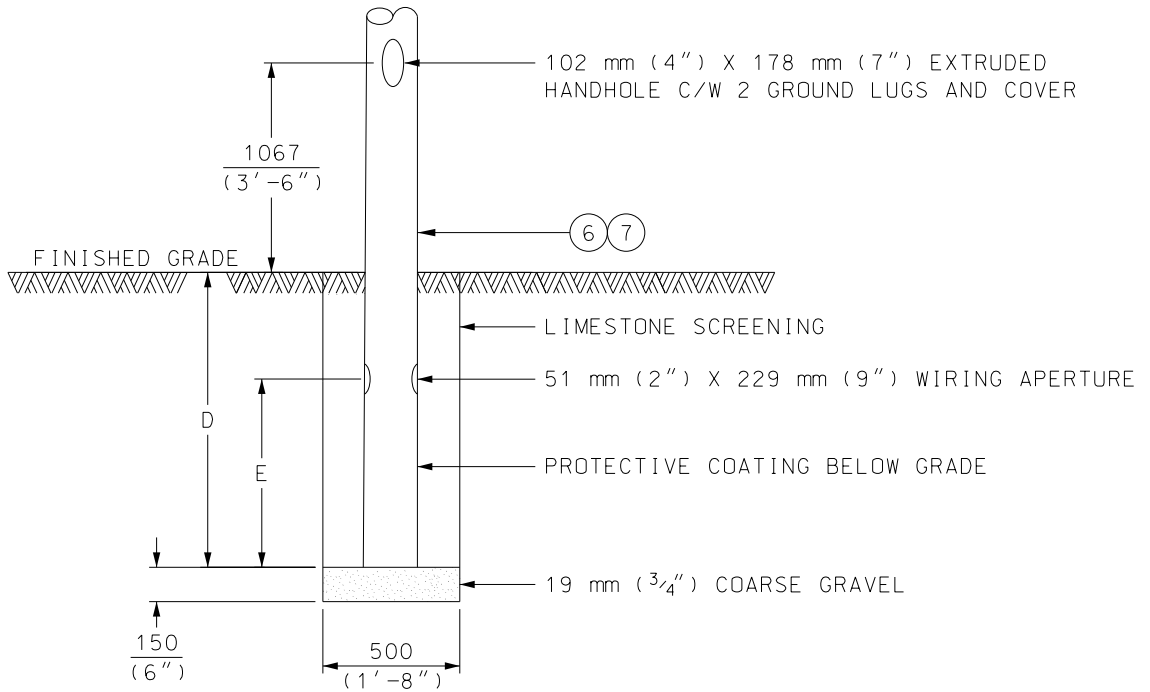
1/3



DETAIL 'D'

BASE PLATE (SEE BELOW)

| BASE PLATE DETAILS | | | | | | |
|--------------------|-------------------------|--------------|-------------|-------------|-------------|-------------------------|
| BASE MOUNTED POLE | | DIMENSION | | | | |
| HEIGHT | TAPER DIAMETER | A | B | C | S | BCD |
| 8534 (28'-0") | 203 (8") - 114 (4 1/2") | 216 (8 1/2") | 32 (1 1/4") | 45 (1 3/4") | 305 (1'-0") | 292 (11 1/2") |
| 10668 (35'-0") | 254 (10") - 152 (6") | 279 (11") | 32 (1 1/4") | 51 (2") | 406 (1'-4") | 406 (1'-4") |
| 10668 (35'-0") | 203 (8") - 114 (4 1/2") | 206 (8 1/8") | 32 (1 1/4") | 51 (2") | 305 (1'-0") | 279 (11") - 305 (1'-0") |



DIRECT BURIED

| DIRECT BURIED POLE | | DIMENSION | |
|--------------------|-------------------------|--------------|--------------|
| HEIGHT | TAPER DIAMETER | D | E |
| 11277 (37'-0") | 203 (8") - 114 (4 1/2") | 1728 (5'-8") | 1067 (3'-6") |
| 12954 (42'-6") | 254 (10") - 152 (6") | 1829 (6'-0") | 1372 (4'-6") |

DISTRIBUTION CONSTRUCTION STANDARD
Street Lighting

ALUMINUM POLE WITH COBRA HEAD LUMINAIRE



Approved By:
J.D. 2016-08-25

Drafted By: J.D.
Designed By: J.D.

Original Issue:
L.G. 2001-05-29

Scale:
N.T.S.

Rev:

7

30-4210

2/3



| BOM LEGEND | | | | | |
|------------|----------------|----------------------|---------------|--------|----------|
| | POLE HEIGHT | BOLT CIRCLE DIAMETER | MOUNTING | ARM(S) | BRACKET |
| A | 8534 (28'-0") | 292 (11 1/2") | BASE MOUNTED | SINGLE | 6' REACH |
| B | | | | | 8' REACH |
| C | | | | | 6' REACH |
| D | 8' REACH | | | | |
| E | 10668 (35'-0") | 406 (1'-4") | | | 6' REACH |
| F | | | | | 8' REACH |
| G | 11278 (37'-0") | - | DIRECT BURIED | DOUBLE | 6' REACH |
| H | | | | | 8' REACH |
| I | 12954 (42'-6") | - | | | 6' REACH |
| J | | | | | 8' REACH |
| K | 12954 (42'-6") | - | | | 6' REACH |
| L | | | | | 8' REACH |



BILL OF MATERIALS FOR 30-4210

| ITEM NO. | DESCRIPTION | ITEM I.D. | QUANTITY | | | | | | | | | | | |
|----------------------|--|--------------|----------|---|---|---|---|---|---|---|---|---|---|---|
| | | | A | B | C | D | E | F | G | H | I | J | K | L |
| 1 | BOLT MACHINE 5/8" X 3"- 11 UNC HEX HEAD AND NUT | 2510170 | 2 | 2 | 2 | 2 | 2 | 2 | 2 | 2 | 2 | 2 | - | - |
| 2 | WASHER LOCK GALV STEEL 5/8" | 2530161 | 2 | 2 | 2 | 2 | 2 | 2 | 2 | 2 | 2 | 2 | 2 | 2 |
| 3 | POLE STREET LIGHTING AL 28' ROUND BASE MOUNT | 1420081 | 1 | 1 | - | - | - | - | - | - | - | - | - | - |
| 4 | POLE STREET LIGHTING AL 35' ROUND BASE MOUNT WITH 11"-(1'-0") BCD | 1420121 | - | - | 1 | 1 | - | - | - | - | - | - | - | - |
| 5 | POLE STREET LIGHTING AL 35' ROUND BASE MOUNT | 1420132 | - | - | - | - | 1 | 1 | - | - | - | - | - | - |
| 6 | POLE STREET LIGHTING AL 37' ROUND DIRECT BURIED | 1420151 | - | - | - | - | - | - | 1 | 1 | - | - | - | - |
| 7 | POLE STREET LIGHTING AL 42'6" ROUND DIRECT BURIED | 1420191 | - | - | - | - | - | - | - | - | 1 | 1 | 1 | 1 |
| 8 | BOLT MACHINE 5/8" X 10" HEX HEAD AND NUT | 2510189 | - | - | - | - | - | - | - | - | - | - | 2 | 2 |
| 9 | BRACKET AL TAPERED 6' REACH | 7900012 | 1 | - | 1 | - | 1 | - | 1 | - | 1 | - | 2 | - |
| 10 | BRACKET AL TAPERED 8' REACH | 7900014 | - | 1 | - | 1 | - | 1 | - | 1 | - | 1 | - | 2 |
| OPEN BIN MATERIALS | | | | | | | | | | | | | | |
| 11 | WASHER GALV STEEL 5/8" | 2530084 | 2 | 2 | 2 | 2 | 2 | 2 | 2 | 2 | 2 | 2 | 2 | 2 |
| ASSOCIATED STANDARDS | | | | | | | | | | | | | | |
| 12 | REINFORCED SIDEWALK BAY | STD. 30-9820 | 1 | 1 | 1 | 1 | 1 | 1 | - | - | - | - | - | - |
| 13 | COBRA HEAD LUMINAIRE SELECTION TABLE | STD. 30-1110 | 1 | 1 | 1 | 1 | 1 | 1 | 1 | 1 | 1 | 1 | 1 | 1 |
| 14 | UNDERGROUND SUPPLY TO POLE-MOUNTED LUMINAIRE AT THE FIRST POLE WITHOUT IN-POLE CIRCUIT BREAKER | STD. 30-3730 | + | + | + | + | + | + | + | + | + | + | + | + |
| 15 | U/G SUPPLY TO POLE-MOUNTED LUMINAIRE | STD. 30-3800 | + | + | + | + | + | + | + | + | + | + | + | + |

+ AS REQUIRED

DISTRIBUTION CONSTRUCTION STANDARD
Street Lighting

ALUMINUM POLE WITH COBRA HEAD LUMINAIRE



Approved By:
J.D. 2016-08-25

Drafted By: J.D.
Designed By: J.D.

Original Issue:
L.G. 2001-05-29

Scale:
N.T.S.

Rev: **7**

30-4210

3/3